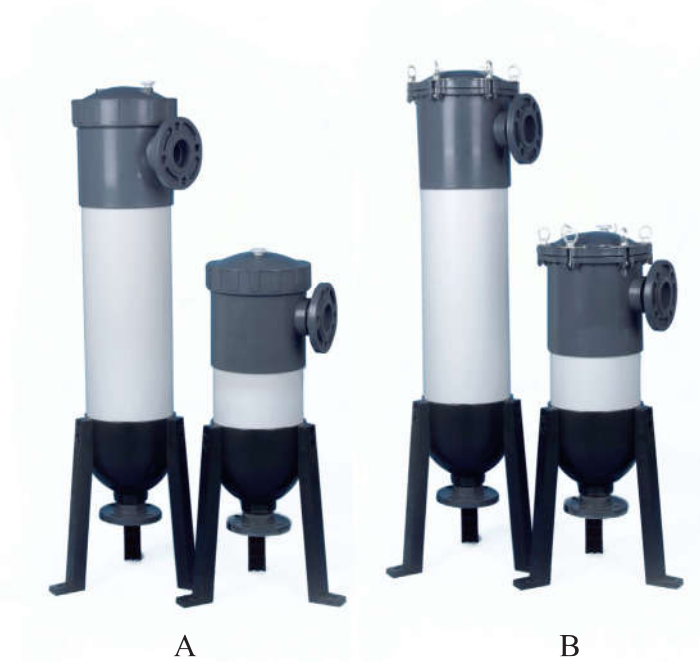




全塑袋式过滤器 Bag filters

HXP全塑袋式过滤系统是一种新型的过滤系统，具有过滤精度高，处理量大，使用、维护方便等特点。因此可广泛应用于食品、化妆品、化工、医疗、纺织等领域。HXP全塑袋式过滤器可分为三部分：过滤容器、滤篮和滤袋。

HXP bag filter system is a new filter system. It is character with high precision, big flow, easy installation and maintenance. So it can be widely used in the field of liquid treatment: foods, cosmetic, chemistry, medicine, textile, etc. It consists of the housing, support basket, and the filter bag.



A系列顶盖用扳手
Spanner for the lid of A series

本产品于2008年获得国家实用新型专利证书，专利号为：200720303058.9
2010年获得国家发明专利证书，专利号为：200710164500.9
已通过0-0.6MPa的10万次循环疲劳测试。

In 2008, it has got the utility model patent, the patent NO is: 200720303058.9

In 2010, it has got the patent of invention. the patent NO is: 200710164500.9

It has achieved 0-0.6 MPa 100,000 times recycle fatigue test successfully.

型号 Type	尺寸 Size	滤袋尺寸 Bag size	进出水口 In/Out	进水口高度 L	最大工作压力 Max pressure
HXP-BF-1-1-A	Ø225-H 805	Ø7"(178mm)-H17"(419mm)	法兰FLG: DN50/ANSI2"	650	A=0.4MPa
HXP-BF-1-2-A	Ø225-H1190	Ø7"(178mm)-H32"(813mm)		1035	
HXP-BF-1-1-B	Ø225-H820	Ø7"(178mm)-H17"(419mm)		665	B=0.7MPa
HXP-BF-1-2-B	Ø225-H1200	Ø7"(178mm)-H32"(813mm)		1045	

Note:

桶体内安装各种材质各种精度滤袋1只;

最高温度: 45℃, 排气孔、压力表安装孔螺纹尺寸为: G1/4", 配公制压力表需要订购转接头。

It can install all material, all precision' s filter bag 1PCS.

The highest of working temperature is 45℃, The size of the two holes in the lid of the filter is G1/4"

If the thread of the pressure gauge is metric standard, should add an adaptor.

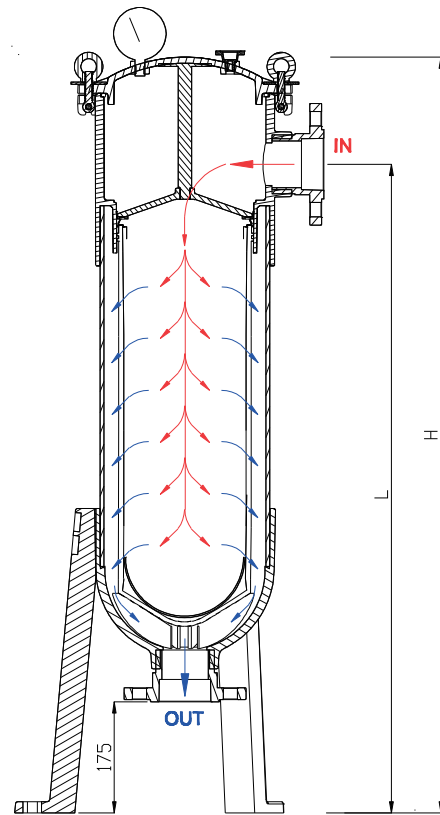


工作原理:

要过滤的物体从进料口流入，液体从滤袋内流向滤袋外，经过滤器下出口流入指定容器内，滤除的颗粒杂质被拦截在滤袋中，确保更换滤袋时不致污染下流液体，滤袋更换后可继续使用。

Operate Element:

The liquid which will be purged should be poured into the bag filter from the inlet, then the liquid flow from the inner surface of the bag to the outer surface. At last, it will be come into the appointed tank. On reverse, the impurity will be held up in the bag. The filter can be recycled when changed another new bag.

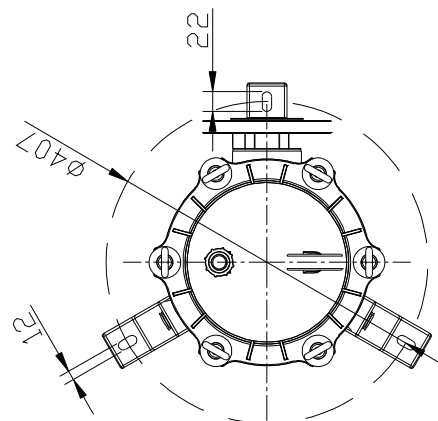


水流示意图 Flow Diagram

产品优势 Product Merits:

- ① UPVC 材质的过滤容器耐腐蚀性强;
- ② 独特的压板卡扣密封装置，使系统更加安全可靠;
- ③ 采用独特的过滤设计技术，有效防止滤袋陷入滤篮内的可能，确保 100%无溢漏;
- ④ 结构紧凑，外表美观、安装操作简单、占地面积小;
- ⑤ 过滤精度高，过滤范围为 0.5~200 微米;
- ⑥ 单位过滤面积的处理流量大，容污量大，过滤效率高;
- ⑦ 与国外进口袋式过滤器相比，价格优势显著。

- ①UPVC material has good corrosion resistant.
- ②The unique seal system makes the filter more safety.
- ③It can prevent the bag plunged into the support basket, no inner leak.
- ④Good appearance and compact inner construct.
- ⑤High precision, the filter range can be from 0.5~200um.
- ⑥High efficiency of filter: quick flow of liquid, big capacity of impurity
- ⑦The price is more competitive.



底座定位图
Pedestal Location